

# KENWOOD

**DNX7190HD**  
**DNX7490BT**  
**DNX6990HD**  
**DNX6190HD**  
**DNX6490BT**  
**DNX5190**  
**DNX5060EX**

---

GPS NAVIGATION SYSTEM  
**Quick Start Guide**

JVC KENWOOD Corporation

**Take the time to read through this instruction manual.**

**Familiarity with installation and operation procedures will help you obtain the best performance from your new GPS Navigation System.**

**For your records**

Record the serial number, found on the back of the unit, in the spaces designated on the warranty card, and in the space provided below. Refer to the model and serial numbers whenever you call upon your Kenwood dealer for information or service on the product.

Model DNX7190HD/ DNX7490BT/ DNX6990HD/ DNX6190HD/ DNX6490BT/ DNX5190/ DNX5060EX Serial number \_\_\_\_\_

***US Residence Only***

**Register Online**

Register your Kenwood product at [www.Kenwoodusa.com](http://www.Kenwoodusa.com)

## About The Quick Start Guide

This Quick Start Guide explains the basic functions of this unit. For functions not covered in this guide, refer to the Instruction Manual (PDF file) contained in the included CD-ROM "Instruction Manual".

To refer to the Instruction Manual contained in the CD-ROM, a PC loaded with Microsoft® Windows XP/ Vista/7 or Mac OS X® 10.4 or later is required in addition to Adobe® Reader™ 7.1 or Adobe® Acrobat® 7.1 or later.

The Instruction Manual is subject to change for modification of specifications and so forth. You can download the latest version of the Instruction Manual from <http://manual.kenwood.com/edition/im345>.

### NOTE

- The panels shown in this guide are examples used to provide clear explanations of the operations. For this reason, they may be different from the actual panels.
- In this manual, each model name is abbreviated as follows.  
 DNX7190HD and DNX7490BT: **DNX7**  
 DNX6990HD, DNX6190HD, and DNX6490BT: **DNX6**  
 DNX5190 and DNX5060EX: **DNX5**  
 If above icons are shown, read the article applicable to the unit you use.
- In operation procedures, bracket shape indicates the key or button you should control.  
 < >: indicates the name of panel buttons.  
 [ ]: indicates the name of touch keys.

## Contents

<b>Precautions</b>	<b>3</b>
▲WARNING _____	3
Cleaning The Unit _____	4
How To Reset Your Unit _____	4
<b>Safety Precautions and Important Information</b>	<b>5</b>
▲WARNINGS _____	5
▲CAUTIONS _____	5
IMPORTANT INFORMATION _____	5
<b>First Step</b>	<b>6</b>
<b>Basic Operations</b>	<b>8</b>
Functions Of The Buttons On The Front Panel _____	8
Common Operations _____	12
<b>How To Use The Navigation System</b>	<b>13</b>
Other Features _____	15
<b>How To Play Music</b>	<b>16</b>
<b>How To Play Movie/Picture</b>	<b>18</b>
<b>How To Listen To The Radio/ HD Radio™ tuner</b>	<b>19</b>
<b>How To Make A Phone Call</b>	<b>20</b>
<b>Installation Procedure</b>	<b>22</b>
Before Installation _____	22
Installation Procedure _____	23
Removing Procedure _____	26
Connection _____	27
About This Unit _____	31

## Precautions

### ⚠ WARNING

#### To prevent injury or fire, take the following precautions:

- To prevent a short circuit, never put or leave any metallic objects (such as coins or metal tools) inside the unit.
- Do not watch or fix your eyes on the unit's display when you are driving for any extended period.
- If you experience problems during installation, consult your Kenwood dealer.

#### Precautions on using this unit

- When you purchase optional accessories, check with your Kenwood dealer to make sure that they work with your model and in your area.
- You can select language to display menus, audio file tags, etc. See **Language setup (P.84)** in the Instruction Manual.
- The Radio Data System or Radio Broadcast Data System feature won't work where the service is not supported by any broadcasting station.

#### Precautions on battery

- Keep battery out of reach of children and in original package until ready to use. Dispose of used batteries promptly. If swallowed contact physician immediately.
- Do not leave the battery near fire or under direct sunlight. A fire, explosion or excessive heat generation may result.
- Do not set the remote control in hot places such as on the dashboard.
- Danger of explosion if Lithium battery is incorrectly replaced. Replace only with the same or equivalent type.

#### Protecting the monitor

To protect the monitor from damage, do not operate the monitor using a ballpoint pen or similar tool with the sharp tip.

#### Lens fogging

When you turn on the car heater in cold weather, dew or condensation may form on the lens in the disc player of the unit. Called lens fogging, this condensation on the lens may not allow discs to play. In such a situation, remove the disc and wait for the condensation to evaporate. If the unit still does not operate normally after a while, consult your Kenwood dealer.

#### Precautions on handling discs

- Do not touch the recording surface of the disc.
- Do not stick tape etc. on the disc, or use a disc with tape stuck on it.
- Do not use disc type accessories.
- Clean from the center of the disc and move outward.
- When removing discs from this unit, pull them out horizontally.
- If the disc center hole or outside rim has burrs, use the disc only after removing the burrs with a ballpoint pen etc.
- Discs that are not round cannot be used.



- 8-cm (3 inch) discs cannot be used.
- Discs with coloring on the recording surface or discs that are dirty cannot be used.
- This unit can only play the CDs with



This unit may not correctly play discs which do not have the mark.

- You cannot play a disc that has not been finalized. (For the finalization process see your writing software, and your recorder instruction manual.)

## Acquiring GPS signal

The first time you turn on this unit, you must wait while the system acquires satellite signals for the first time. This process could take up to several minutes. Make sure your vehicle is outdoors in an open area away from tall buildings and trees for fastest acquisition. After the system acquires satellites for the first time, it will acquire satellites quickly each time thereafter.

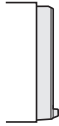
## About the front panel **DNX7**

When removing the product from the box or installing it, the front panel may be positioned at the angle shown in (Fig. 1). This is due to the characteristics of mechanism the product is equipped with.

When the product is first powered on works properly, the front panel will automatically move into the position (initial setting angle) shown in (Fig. 2).



(Fig. 1)



(Fig. 2)

## Cleaning The Unit

If the faceplate of this unit is stained, wipe it with a dry soft cloth such as a silicon cloth. If the faceplate is stained badly, wipe the stain off with a cloth moistened with neutral cleaner, then wipe it again with a clean soft dry cloth.



- Applying spray cleaner directly to the unit may affect its mechanical parts. Wiping the faceplate with a hard cloth or using a volatile liquid such as thinner or alcohol may scratch the surface or erase screened print.

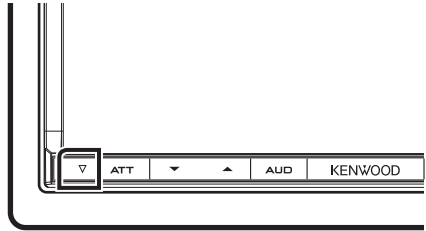
## How To Reset Your Unit

If the unit or the connected unit fails to operate properly, reset the unit.

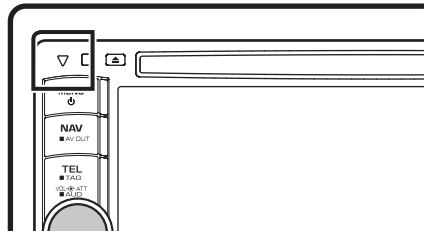
### 1 Press the <Reset> button.

The unit returns to factory settings.

#### **DNX7**



#### **DNX6 DNX5**



#### NOTE

- Disconnect the USB device before pressing the <Reset> button. Pressing the <Reset> button with the USB device connected can damage the data stored in the USB device. For how to disconnect the USB device, see **How To Play Music (P.16)**.
- When the unit is turned on after resetting, the Initial SETUP screen appears. See **First Step (P.6)**.

## Safety Precautions and Important Information

Read this information carefully before starting to operate the Kenwood Car Navigation System and follow the instructions in this manual. Neither Kenwood nor Garmin shall be liable for problems or accidents resulting from failure to observe the instructions in this manual.

### ⚠️ WARNINGS

**Failure to avoid the following potentially hazardous situations could result in an accident or collision resulting in death or serious injury.**

When navigating, carefully compare information displayed on the navigation system to all available navigation sources, including information from street signs, visual sightings, and maps. For safety, always resolve any discrepancies or questions before continuing navigation.

Always operate the vehicle in a safe manner.

Do not become distracted by the navigation system while driving, and always be fully aware of all driving conditions. Minimize the amount of time spent viewing the screen of the navigation system while driving, and use voice prompts when possible.

Do not enter destinations, change settings, or access any functions requiring prolonged use of the navigation system controls while driving. Stop your vehicle in a safe and legal manner before attempting such operations.

Keep the system volume at a low enough level to be able to hear outside noises while driving. If you can no longer hear outside noises, you may be unable to react adequately to the traffic situation. This may cause accidents.

The navigation system will not display the correct current position of the vehicle the first time it is used after purchase, or if the vehicle battery is disconnected. GPS satellite signals will soon be received, however, and the correct position will be displayed.

Be careful of the ambient temperature. Using the navigation system at extreme temperatures can lead to malfunction or damage. Also note that the unit can be damaged by strong vibration, by metal objects, or by water getting inside the unit.

### ⚠️ CAUTIONS

**Failure to avoid the following potentially hazardous situations may result in injury or property damage.**

The navigation system is designed to provide you with route suggestions. It does not reflect road closures or road conditions, weather conditions, or other factors that may affect safety or timing while driving.

Use the navigation system only as a navigational aid. Do not attempt to use the navigation system for any purpose requiring precise measurement of direction, distance, location, or topography.

The Global Positioning System (GPS) is operated by the United States government, which is solely responsible for its accuracy and maintenance. The government system is subject to changes that could affect the accuracy and performance of all GPS equipment, including the navigation system. Although the navigation system is a precision navigation device, any navigation device can be misused or misinterpreted and, therefore, become unsafe.

### IMPORTANT INFORMATION

#### Vehicle Battery Preservation

This navigation system can be used when the ignition key is turned to ON or ACC. To preserve the battery, however, it should be used with the engine running whenever possible. Using the navigation system for a long time with the engine switched off can cause the battery to run down.

#### Map Data Information

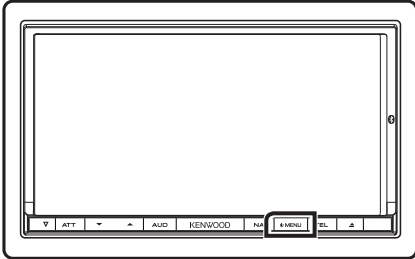
One of the goals of Garmin is to provide customers with the most complete and accurate cartography that is available to us at a reasonable cost. We use a combination of governmental and private data sources, which we identify in product literature and copyright messages displayed to the consumer. Virtually all data sources contain some inaccurate or incomplete data. In some countries, complete and accurate map information is either not available or is prohibitively expensive.

## First Step

Power on the unit and perform some setup steps before using.

### DNX7

Press the <MENU> button.



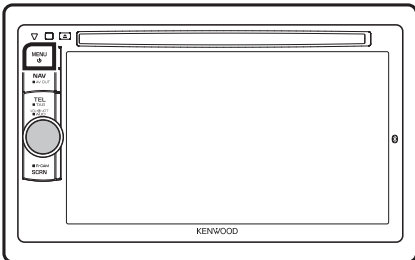
The unit is turned on.

#### ● To turn off the unit:

Press the <MENU> button for 1 second.

### DNX6 DNX5

Press the <MENU> button.



The unit is turned on.

#### ● To turn off the unit:

Press the <MENU> button for 1 second.

The "Initial setup" is only necessary when you use the unit for the first time after purchase, and when you reset the unit.

## 1 Touch the corresponding key and set the value.



### Language

Select the language used for the control screen and setting items. Default is "American English (en)".

After setting, touch [Enter].

### Angle DNX7

Adjust the position of the monitor. Default is "0".

After setting, touch [↔].

### iPod AV Interface Use

Set the terminal which your iPod is connected to. Default is "iPod".

### Color

Set the screen and button illumination color. You can select whether to perform color scan and adjust scanning color.

After setting, touch [↔].

### EXT SW DNX7

Control the external devices.

After setting, touch [↔].

### Camera

Set the parameters for the camera.

After setting, touch [↔].

### OEM SETUP

This function requires a commercial adaptor. Consult your Kenwood dealer for details.

## 2 Touch [Finish].

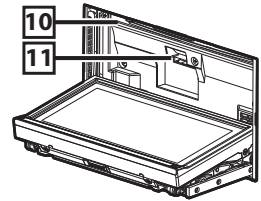
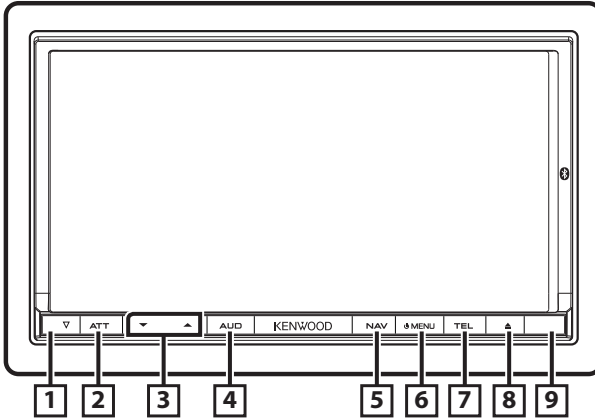
**NOTE**

- For details on operations of each setting, refer to the Instruction Manual.

## Basic Operations

### Functions Of The Buttons On The Front Panel

#### DNX7190HD/DNX7490BT

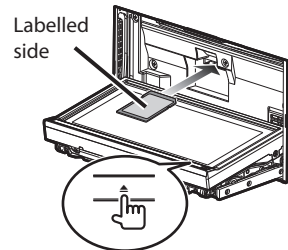


#### How To Insert An SD Card

- 1) Press **8** <▲> button for 1 second.  
The panel fully opens.
- 2) Hold the SD card as the diagram in the right and insert it into the slot until it clicks.

#### ● To eject the card:

- Push the card until it clicks and then remove your finger from the card.
- The card pops up so that you can pull it out with your fingers.

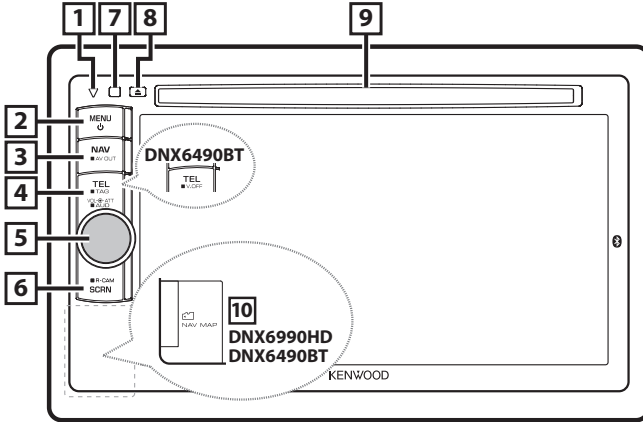




Number	Name	Motion
<b>1</b>	▽ (Reset)	<ul style="list-style-type: none"> <li>If the unit or the connected unit fails to operate properly, the unit returns to factory settings when this button is pressed (<b>Instruction Manual P.111</b>).</li> <li>If the SI function is turned on, this indicator flashes when the vehicle ignition is off (<b>Instruction Manual P.84</b>).</li> </ul>
<b>2</b>	ATT	<ul style="list-style-type: none"> <li>Switches attenuation of the volume on/off.</li> <li><b>North America Sales area:</b> Pressing for 1 second stores the tag data of the current music from HD Radio tuner or SiriusXM (<b>Instruction Manual P.60</b>).</li> <li><b>Central and South America sales area:</b> Pressing for 1 second turns the screen off.</li> </ul>
<b>3</b>	▼, ▲ (Vol)	Adjusts volume.
<b>4</b>	AUD	<ul style="list-style-type: none"> <li>Displays Graphic Equalizer screen (<b>Instruction Manual P.99</b>)*.</li> <li>Pressing for 1 second switches camera view display on/off.</li> </ul>
<b>5</b>	NAV	<ul style="list-style-type: none"> <li>Displays the navigation screen.</li> <li>Pressing for 1 second switches AV out sources.</li> </ul>
<b>6</b>	MENU	<ul style="list-style-type: none"> <li>Displays the Top Menu screen (<b>Instruction Manual P.14</b>).</li> <li>Pressing for 1 second turns the power off.</li> <li>When the power off, turns the power on.</li> </ul>
<b>7</b>	TEL	<ul style="list-style-type: none"> <li>Displays the Hands Free screen (<b>Instruction Manual P.68</b>).</li> <li>Pressing for 1 second displays the Screen Control screen.</li> </ul>
<b>8</b>	▲ (Eject)	<ul style="list-style-type: none"> <li>Ejects the disc.</li> <li>When the panel is opened, pressing closes the panel and pressing for 1 second ejects the disc forcibly.</li> <li>When the panel is closed, pressing for 1 second fully opens the panel to the location of the SD card slot.</li> </ul>
<b>9</b>	Remote Sensor	Receives the remote control signal.
<b>10</b>	Disc insert slot	A slot to insert a disc media.
<b>11</b>	SD card slot	An SD card slot for upgrading the map. For how to upgrade the map, refer to the instruction manual of the navigation system.

\* The display may not switch to the Graphic Equalizer screen in some conditions.

## DNX6990HD/DNX6190HD/DNX6490BT/DNX5190/DNX5060EX



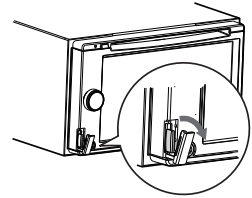
### How To Insert A MicroSD Card

- 1) Open the **10** microSD card slot cover as the diagram in the right.
- 2) Hold the microSD card with the label facing left and the notched section up, and insert it into the slot until it clicks.

#### ● To eject the card:

Push the card until it clicks and then remove your finger from the card.

The card pops up so that you can pull it out with your fingers.



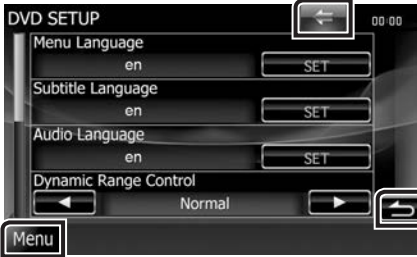
Number	Name	Motion
<b>1</b>	▽ (Reset)	<ul style="list-style-type: none"> <li>• If the unit or the connected unit fails to operate properly, the unit returns to factory settings when this button is pressed (<b>Instruction Manual P.111</b>).</li> <li>• If the SI function is turned on, this indicator flashes when the vehicle ignition is off (<b>Instruction Manual P.84</b>).</li> </ul>
<b>2</b>	MENU	<ul style="list-style-type: none"> <li>• Displays the Top Menu screen (<b>Instruction Manual P.14</b>).</li> <li>• Pressing for 1 second turns the power off.</li> <li>• When the power off, turns the power on.</li> </ul>
<b>3</b>	NAV	<ul style="list-style-type: none"> <li>• Displays the navigation screen.</li> <li>• Pressing for 1 second switches AV out sources.</li> </ul>
<b>4</b>	TEL	<ul style="list-style-type: none"> <li>• Displays the Hands Free screen (<b>Instruction Manual P.68</b>).</li> <li>• <b>North America Sales area:</b> Pressing for 1 second stores the tag data of the current music from HD Radio tuner or SiriusXM (<b>Instruction Manual P.60</b>).</li> <li>• <b>Central and South America sales area:</b> Pressing for 1 second turns off the display.</li> </ul>
<b>5</b>	Volume Knob	<ul style="list-style-type: none"> <li>• Pressing switches attenuation of the volume on/off.</li> <li>• Turning adjusts volume up or down.</li> <li>• Pressing for 1 second displays Tone Control screen (<b>Instruction Manual P.99</b>)*.</li> </ul>
<b>6</b>	SCRN	<ul style="list-style-type: none"> <li>• Displays the Screen Control screen.</li> <li>• Pressing for 1 second displays rear view camera display.</li> </ul>
<b>7</b>	Remote Sensor	<p>Receives the remote control signal.</p> <p>You can enable or disable this feature by Remote Sensor (<b>Instruction Manual P.83</b>).</p>
<b>8</b>	▲ (Eject)	<ul style="list-style-type: none"> <li>• Ejects the disc.</li> <li>• Pressing for 1 second ejects the disc forcibly.</li> </ul>
<b>9</b>	Disc insert slot	A slot to insert a disc media.
<b>10</b>	MicroSD card slot	A microSD card slot for upgrading the map. For how to upgrade the map, refer to the instruction manual of the navigation system.

\*The display may not switch to the Tone Control screen in some conditions.

## Common Operations

### General

There are some functions which can be operated from most screens.



#### [Menu]

Returns to the Top Menu screen.

#### ↩ (RETURN)

Returns to previous screen.

#### ⏪ (common menu key)

Touch to display the common menu. The contents of the menu are as follows.

⏪ : **DNX7** Displays the EXT SW Control screen.

⏪ : Displays the SETUP Menu screen.

⏪ : Displays the Audio Control Menu screen.

⏪ : Displays the control screen of current source. Icon feature differs depending on the source.

⏪ : Closes the menu.

### List screen

There are some common function keys in the list screens of most sources.



#### ⏪ (Scroll)

Scrolls the displayed text.

#### All > etc.

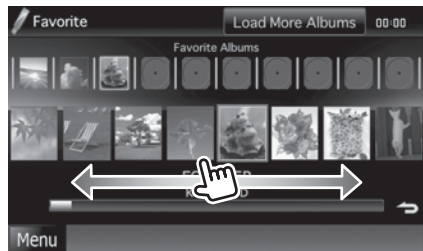
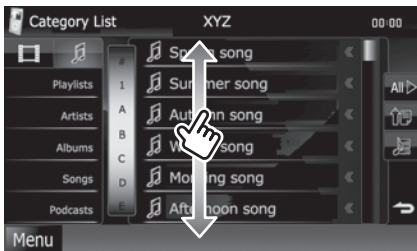
Touch keys with various functions are displayed here.

Displayed keys differ depending on the current audio source, status, etc.

For examples, see **List screen (P.16)** in the Instruction Manual.

### Flick scrolling

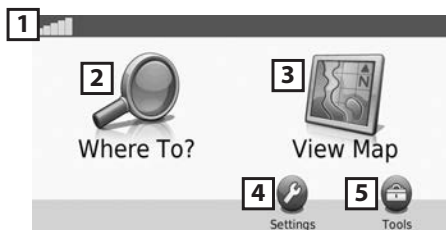
You can scroll the list screen by flicking the screen up/down or right/left.



# How To Use The Navigation System

**1** Press the <NAV> button to display the navigation screen.

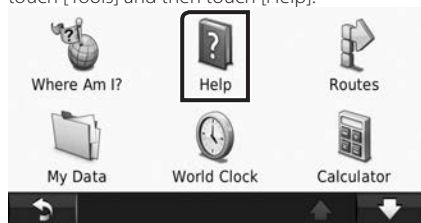
**2** Operate the desired function from the Main Menu screen.



1	GPS satellite strength.
2	Finds a destination.
3	Views the map.
4	Adjusts the settings.
5	Uses the tools such as ecoRoute and Help.

## NOTE

- You can get additional information about using the navigation system from Help. To display Help, touch [Tools] and then touch [Help].



- For more information about your navigation system, download the latest version of the Owner's Manual from [manual.kenwood.com/edition/im345](http://manual.kenwood.com/edition/im345).

**3** Enter your destination and start the guidance.

### ● Finding points of interest

- 1) Touch [Where To?].
- 2) Touch [Points of Interest].
- 3) Select a category and a subcategory.
- 4) Select a destination.
- 5) Touch [Go!].

### NOTE

- To enter letters contained in the name, touch [Where To?] - [Points of Interest] - [Spell Name].
- To search for a location in a different area, touch [Where To?] and then touch [Near].

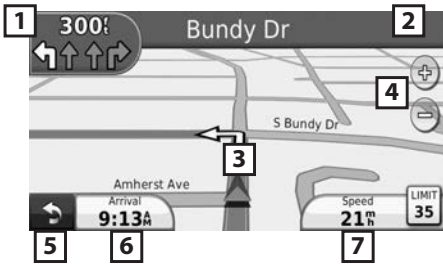
**Continued**

## 4 Follow your route to the destination.

### NOTICE

- The speed limit icon feature is for information only and does not replace the driver's responsibility to abide by all posted speed limit signs and to use safe driving judgment at all times. Garmin and Kenwood will not be responsible for any traffic fines or citations that you may receive for failing to follow all applicable traffic laws and signs.

Your route is marked with a magenta line. As you travel, your navigation system guides you to your destination with voice prompts, arrows on the map, and directions at the top of the map. If you depart from the original route, your navigation system recalculates the route.




1	Views the Next Turn page or the junction view page, when available.
2	Views the Turn List page.
3	Views the Where Am I? page.
4	Zooms in and out.
5	Returns to the Main Menu.
6	Displays a different data field.
7	Views the Trip Computer.



### NOTE

- Touch and drag the map to view a different area of the map.
- A speed limit icon could appear as you travel on major roadways.

### ● Adding a stop

- 1) While navigating a route, touch [  ] and then touch [Where To?].
- 2) Search for the extra stop.
- 3) Touch [Go!].
- 4) Touch [Add as Via Point] to add this stop before your final destination.

### ● Taking a detour

- 1) While navigating a route, touch [  ].
- 2) Touch [  ].

## Other Features

### ● Manually avoiding traffic on your route **DNX7** **DNX6**

- 1) From the map, touch the traffic icon.
- 2) Touch [Traffic On Route].
- 3) If necessary, touch the arrows to view other traffic delays on your route.
- 4) Touch [Avoid].

### ● Viewing the traffic map **DNX7** **DNX6**

The traffic map shows color-coded traffic flow and delays on nearby.

### ● About traffic **DNX7** **DNX6**

#### NOTICE

- Traffic service is not available in some areas or countries.
  - Garmin and Kenwood are not responsible for the accuracy or timeliness of the traffic information.
- With an FM traffic receiver, the navigation system can receive and use traffic information. When a traffic message is received, you can see the event on the map and change your route to avoid the incident. The FM TMC subscription activates automatically after your navigation system acquires satellite signals while receiving traffic signals from the service provider. Go to [www.garmin.com/fmtraffic](http://www.garmin.com/fmtraffic) for more information.

### ● Updating the software

To update the navigation system software, you must have a USB mass storage device and an internet connection.

- 1) Go to [www.garmin.com/Kenwood](http://www.garmin.com/Kenwood).
- 2) Find your model and select [Software Updates] > [Download].
- 3) Read and accept the terms of the Software License Agreement.
- 4) Follow the instructions on the Web site to complete the installation of the software update.

### ● Updating maps

You can purchase updated map data from Garmin or ask your Kenwood dealer or Kenwood service center for details.

- 1) Go to [www.garmin.com/Kenwood](http://www.garmin.com/Kenwood).
- 2) Select [Order Map Updates] for your Kenwood unit.
- 3) Follow the Web site instructions to update your map.

# How To Play Music

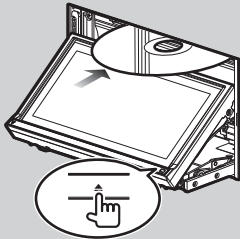
You can play audio files from music CD, disc media, USB storage device and iPod.

## NOTE

• For details on playable file format, media format, iPod model, etc., refer to the Instruction Manual.

## 1 Connect the media you want to play as shown below.

### Disc DNX7



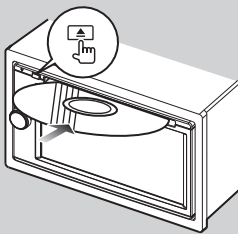
- 1) Press the <▲> button to open the front panel.
- 2) Insert the disc into the slot.

→ *The panel closes automatically and playback starts.*

#### ● To eject the disc:

Press the <▲> button.

### DNX6 DNX5



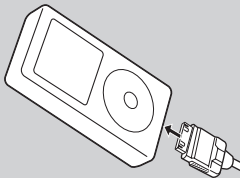
- 1) Insert the disc into the slot.

→ *Playback starts.*

#### ● To eject the disc:

Press the <▲> button.

### iPod



- 1) Connect the iPod with the iPod cable.

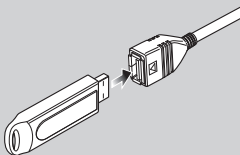
→ *Playback starts.*

#### ● To disconnect the device:

Touch [◀] on the screen and then touch [▲] for 1 second.

Disconnect the iPod from the cable.

### USB device



- 1) Connect the USB device with the USB cable.

→ *Playback starts.*

#### ● To disconnect the device:

Touch [▲] for 1 second on the screen and disconnect the device from the cable.



## 2 Control the music you are listening to on the source control screen.

The following symbols indicate the keys on the screen.

The functions of the keys are the same despite the difference of the source you are listening to.



Basic operations from this screen

Plays or pauses:	▶
Stops playing:	■
Disconnects the device:	▲
Searches the previous/next content:	◀▶▶▶
Fast forwards or Fast backwards (Disc media, CD, USB device only):	◀◀▶▶ or move the cursor in the center bar
Repeats current content:	🔄
Plays all contents in random order:	🔀

### NOTE

- For other operations, refer to the Instruction Manual.
- If desired key is not displayed in the multi-function bar, touch the [◀◀] to switch the menu.

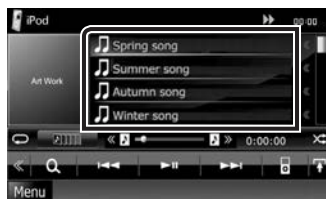
## 3 Search the track/file you want to listen to.

### ● List search

- 1) Touch center of the screen.

The content list of the media being played is displayed.

If the information of the current track only is displayed, touch [Up Arrow] to switch the list display.



### ● Refined search

- 1) Touch [Q].
- 2) Touch the desired refinement method.  
The list is refined by the item you selected.
- 3) Touch the desired item.



### NOTE

- For details on searching operations, refer to **Search Operation (P.34)** in the Instruction Manual.

# How To Play Movie/Picture

You can play DVD video, Video CD (VCD), movie files from disc media, iPod and picture files from USB storage device.

## NOTE

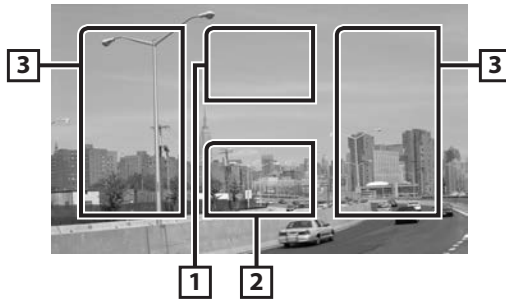
- For details on playable file format, device format, etc., refer to the Instruction Manual.

## 1 Connect the media you want to play.

For the method of connecting, see **How To Play Music (P.16)**.

## 2 Control the movie/picture by touching the screen.

Each area on the screen has a separate function.



1	2	3
DVD: Displays the DVD menu.* <sup>1</sup> VCD: Displays the Zoom Control screen.* <sup>2</sup> Disc media: Displays the disc menu.* <sup>3</sup>	Displays the Source Control screen.	<ul style="list-style-type: none"> <li>• Searches the next/previous content or file.</li> <li>• Scrolling from center of display to left or right performs fast backward or fast forward.</li> <li>To stop fast backward/forward, touch center of the display.*<sup>4</sup></li> </ul>



\*<sup>1</sup> See **DVD Disc Menu Operation (P.23)** in the Instruction Manual.

\*<sup>2</sup> See **Zoom Control For DVD And VCD (P.24)** in the Instruction Manual.

\*<sup>3</sup> See **Movie Control (P.39)** in the Instruction Manual.

\*<sup>4</sup> For iPod/USB, this function may be unavailable depending on the playing file format.

## NOTE

- For operations on the source control screen, see **How To Play Music (P.16)**. However, searching by category/link/album artwork is not available.
- Touching [  ] (displayed by touching [  ] in the source control screen) hides all keys.

# How To Listen To The Radio/ HD Radio™ tuner/ SiriusXM™ Satellite Tuner

## 1 Touch [Menu] on any screen.


Top Menu screen appears.

## 2 Touch [TUNER], [HD Radio], or [SIRIUS XM].

The unit switches to the radio/ HD Radio tuner / SIRIUS XM Satellite Tuner source.



## 3 Operate on the source control screen.

### ● Station search

- 1) Touch [  ].  
Sub function menu appears.
- 2) Touch [AM] or [FM] to select the band.  
(Radio/ HD Radio tuner only)
- 3) Touch [◀◀] or [▶▶] to tune in the desired station.



### ● Auto memory (Radio/ HD Radio tuner only)

- 1) Touch [  ].  
Sub function menu appears.
- 2) Touch [AM] or [FM] to select the band.
- 3) Touch [  ].
- 4) Touch [AME].
- 5) Touch [◀◀] or [▶▶] in the sub function menu.  
Auto memory starts.

### ● Recalling the preset station

- 1) Touch [P#].  
You can also display the preset list by touching the frequency display in the center.

### NOTE

- For other operations, see *Radio/HD Radio tuner Basic Operation (P.50)* and *SIRIUS XM Basic Operation (P.53)* in the Instruction Manual.

# How To Make A Phone Call

You can use your Bluetooth cell-phone when paired to this unit.

## 1 Register your cell-phone to the unit.

Follow as the procedures shown below. For detailed operation, see *Registering the Bluetooth Unit (P.69)* in the Instruction Manual.

- 1) Press the <TEL> button and touch [BT SETUP].
- 2) Touch [SET] of [Regist New Device] in the Bluetooth SETUP screen.



- 3) Touch [PIN Code Set] in the Searched Device List screen.
- 4) Enter PIN code and touch [Enter].
- 5) Select your cell-phone from the displayed list in the Searched Device List screen.  
Registering is completed.



## 2 Connect your cell-phone to the unit.

- 1) Touch [SET] of [Paired Device List] in the Bluetooth SETUP screen.
- 2) Touch the desired device from the list and touch [TEL(HFP)].  
The selected device is connected to the unit.



### NOTE

- Touch [Audio(A2DP)] if you want to connect the device as an audio player. This key appears only for **DNX7** and **DNX6**.
- Touch [Pandora(SPP)] if you want to connect the Bluetooth device. This key appears only for DNX7190HD, DNX6990HD, and DNX6190HD.

## 3 Download your phonebook.

- 1) Operate the cell-phone to send the phonebook data to this unit.
- 2) Operate the cell-phone to start the hands-free connection.

### NOTE


- See the instruction manual of your cell-phone for the operation.

## 4 Make or receive a phone call.


See the table below for each operation method.




### Call by entering a phone number

- ① Touch [Direct Number].
- ② Enter a phone number with number keys.
- ③ Touch [  ].


### Call using call records

- ① Touch [Incoming Calls], [Outgoing Calls], or [Missed Calls].
- ② Select the phone number from the list.
- ③ Touch [  ].

### Redial

- ① Touch [Redial] to display the previously called number.
- ② Touch [  ].

### Call using the phonebook

- ① Touch [Phonebook].
- ② Select the name from the list.
- ③ Select the number from the list.
- ④ Touch [  ].

### Call using the preset number

- ① Touch [Preset #] to start calling the corresponding phone number.

### Call by voice **DNX7** **DNX6**

You can make a voice call using the voice recognition function of the cell-phone.

- ① Touch [Voice].
- ② Pronounce the name registered in the cell-phone.

#### NOTE

- For detailed operation, see **Using Hands-Free Unit (P.72)** in the Instruction Manual.

# Installation Procedure

## Before Installation

Before installation of this unit, please note the following precautions.

### ⚠️ WARNINGS

- If you connect the ignition wire (red) and the battery wire (yellow) to the car chassis (ground), you may cause a short circuit, that in turn may start a fire. Always connect those wires to the power source running through the fuse box.
- Do not cut out the fuse from the ignition wire (red) and the battery wire (yellow). The power supply must be connected to the wires via the fuse.

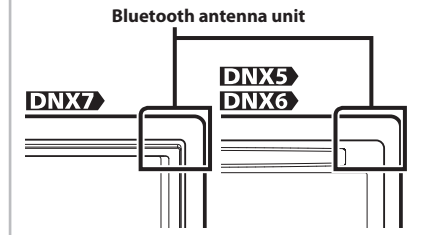
### ⚠️ CAUTION

- Install this unit in the console of your vehicle.  
Do not touch the metal part of this unit during and shortly after the use of the unit. Metal part such as the heat sink and enclosure become hot.

### NOTES

- Mounting and wiring this product requires skills and experience. For best safety, leave the mounting and wiring work to professionals.
- Make sure to ground the unit to a negative 12V DC power supply.
- Do not install the unit in a spot exposed to direct sunlight or excessive heat or humidity. Also avoid places with too much dust or the possibility of water splashing.
- Do not use your own screws. Use only the screws provided. If you use the wrong screws, you could damage the unit.
- If the power is not turned ON ("PROTECT" is displayed), the speaker wire may have a short-circuit or touched the chassis of the vehicle and the protection function may have been activated. Therefore, the speaker wire should be checked.
- If your car's ignition does not have an ACC position, connect the ignition wires to a power source that can be turned on and off with the ignition key. If you connect the ignition wire to a power source with a constant voltage supply, such as with battery wires, the battery may be drained.

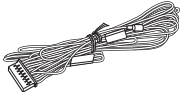


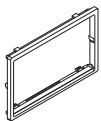
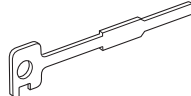
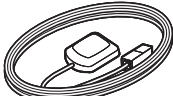
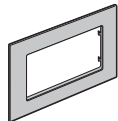
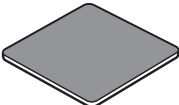
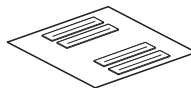


- If the console has a lid, make sure to install the unit so that the faceplate will not hit the lid when closing and opening.
- If the fuse blows, first make sure the wires aren't touching to cause a short circuit, then replace the old fuse with one with the same rating.
- Insulate unconnected wires with vinyl tape or other similar material. To prevent a short circuit, do not remove the caps on the ends of the unconnected wires or the terminals.
- Connect the speaker wires correctly to the terminals to which they correspond. The unit may be damaged or fail to work if you share the ⊖ wires or ground them to any metal part in the car.
- When only two speakers are being connected to the system, connect the connectors either to both the front output terminals or to both the rear output terminals (do not mix front and rear). For example, if you connect the ⊕ connector of the left speaker to a front output terminal, do not connect the ⊖ connector to a rear output terminal.
- After the unit is installed, check whether the brake lamps, blinkers, wipers, etc. on the car are working properly.
- Mount the unit so that the mounting angle is 30° or less.
- This unit has the cooling fan (P.27) to decrease the internal temperature. Do not mount the unit in a place where the cooling fan of the unit are blocked. Blocking these openings will inhibit the cooling of the internal temperature and result in malfunction.
- Do not press hard on the panel surface when installing the unit to the vehicle. Otherwise scars, damage, or failure may result.
- Reception may drop if there are metal objects near the Bluetooth antenna.



## Installation Procedure

### Supplied accessories

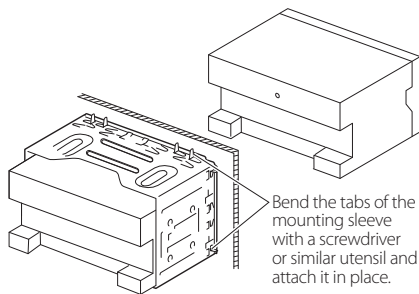
First of all, make sure that all accessories are supplied with the unit.

① ...1 	⑦ ...6 
② ...1 <b>DNX7</b> 	⑧ ...1 
③ ...2 	⑨ ...1  (5 m)
④ ...1 <b>DNX7</b> 	⑩ ...1 
⑤ ...1 <b>DNX7</b> 	⑪ ...1  (3 m)
⑥ ...6 	

### Unit

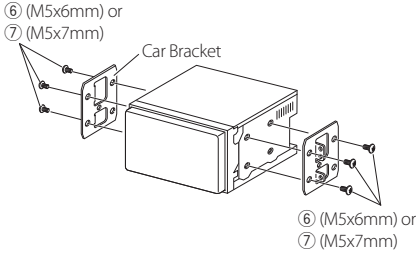
- 1 To prevent a short circuit, remove the key from the ignition and disconnect the  $\ominus$  terminal of the battery.
- 2 Make the proper input and output wire connections for each unit.
- 3 Connect the speaker wires of the wiring harness.
- 4 Connect the wiring harness wires in the following order; ground, battery, ignition.
- 5 Connect the wiring harness connector to the unit.
- 6 Install the unit in your car.
- 7 Reconnect the  $\ominus$  terminal of the battery.
- 8 Press the <Reset> button. **(P.4)**
- 9 Perform the Initial Setup. See **First Step (P.6)**.

### ● Non-Japanese cars



**Continued**

● **Toyota, Nissan or Mitsubishi car**

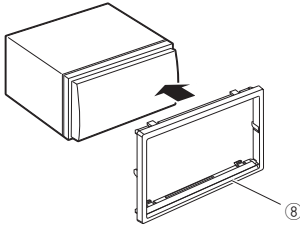


**NOTE**

- Make sure that the unit is installed securely in place. If the unit is unstable, it may malfunction (eg, the sound may skip).

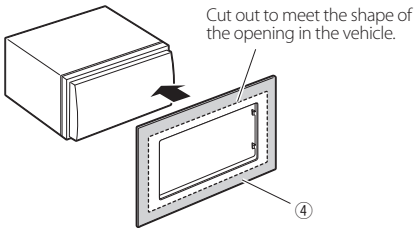
**Escutcheon**

Attach accessory ⑧ to the unit.



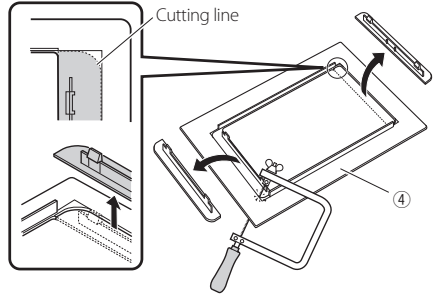
● **General Motors cars DNX7**

- 1) Cut out accessory ④ to meet the shape of the opening of the center console.
- 2) Attach accessory ④ to the unit.



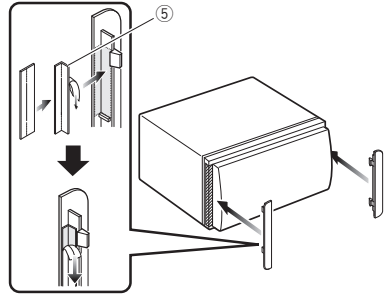
● **Toyota/Scion cars DNX7**

- 1) Cut out accessory ④ as illustrated.



- 2) Fold double-sided adhesive (accessory ⑤) along the slit and attach it to accessory ④ cut-out against the center rib as illustrated. Use 2 pieces of accessory ⑤ for 1 accessory ④ cut-out.

- 3) Attach accessory ④ cut-out to the unit.



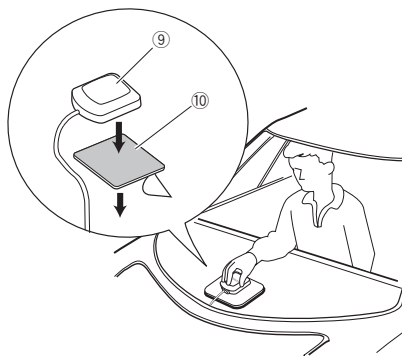


## GPS antenna

GPS antenna is installed inside of the car. It should be installed as horizontally as possible to allow easy reception of the GPS satellite signals.

To mount the GPS antenna inside your vehicle:

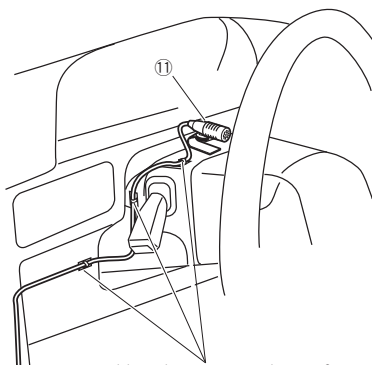
- 1) Clean your dashboard or other surface.
- 2) Peel the backing off of the adhesive on the bottom of the metal plate (accessory ⑩).
- 3) Press the metal plate (accessory ⑩) down firmly on your dashboard or other mounting surface. You can bend the metal plate (accessory ⑩) to conform to a curved surface, if necessary.
- 4) Place the GPS antenna (accessory ⑨) on top of the metal plate (accessory ⑩).



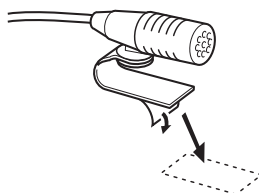
- Depending on the type of car, reception of the GPS satellite signals might not be possible with an inside installation.
- The GPS antenna should be installed at a position that is spaced at least 12 inch (30 cm) from cellular phone or other transmitting antennas. Signals from the GPS satellite may be interfered with by these types of communication.
- Painting the GPS antenna with (metallic) paint may cause a drop in performance.

## Microphone unit

- 1) Check the installation position of the microphone (accessory ⑪).
- 2) Remove oil and other dirt from the installation surface.
- 3) Install the microphone.
- 4) Wire the microphone cable up to the unit with it secured at several positions using tape or other desired method.



Fix a cable with a commercial item of tape.



Peel the release coated paper of double-face adhesive tape to fix on the place shown above.



Adjust the direction of the microphone to the driver.

**Continued**

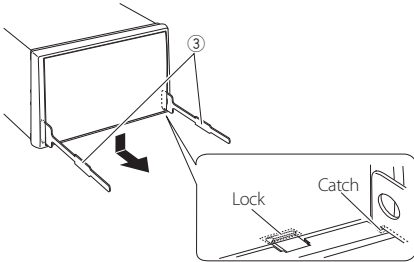
**NOTE**

- Install the microphone as far as possible from the cell-phone.

## Removing Procedure

### Removing the hard rubber frame (escutcheon)

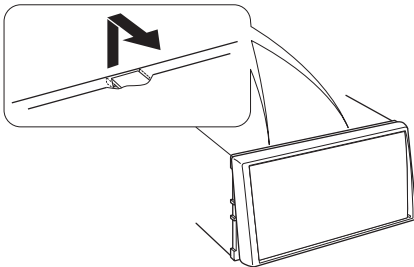
- 1) Engage the catch pins on the removal tool (accessory③) and remove the two locks on the lower level.  
Lower the frame and pull it forward as shown in the figure.



**NOTE**

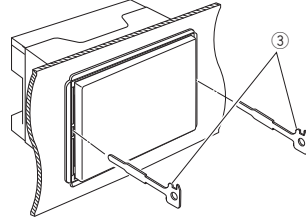
- The frame can be removed from the top side in the same manner.

- 2) When the lower level is removed, remove the upper two locations.

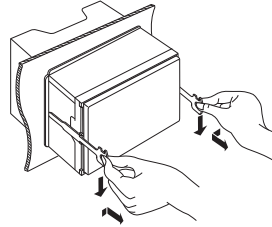


### Removing the unit

- 1) Remove the hard rubber frame by referring to **step 1 in "Removing the hard rubber frame"**.
- 2) Insert the two removal tools (accessory③) deeply into the slots on each side, as shown.



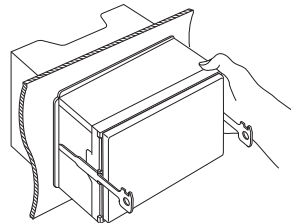
- 3) Lower the removal tool toward the bottom, and pull out the unit halfway while pressing towards the inside.



**NOTE**

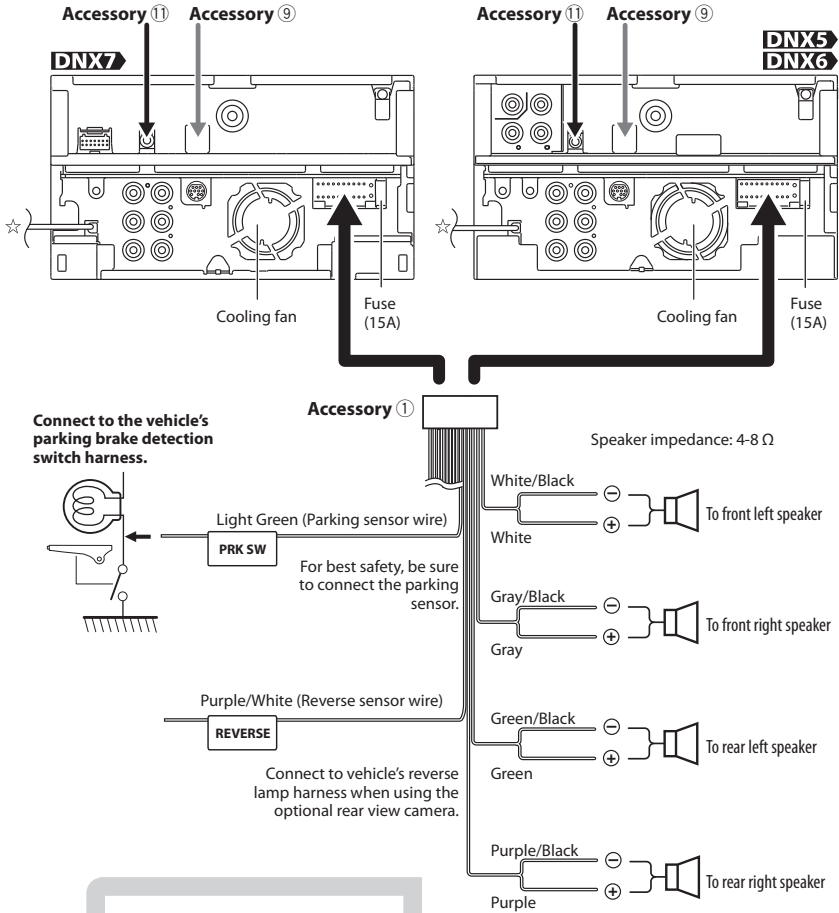
- Be careful to avoid injury from the catch pins on the removal tool.

- 4) Pull the unit all the way out with your hands, being careful not to drop it.

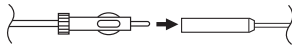


## Connection

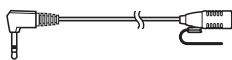
### Connecting wires to terminals (1)



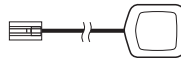
☆ **FM/AM antenna input**



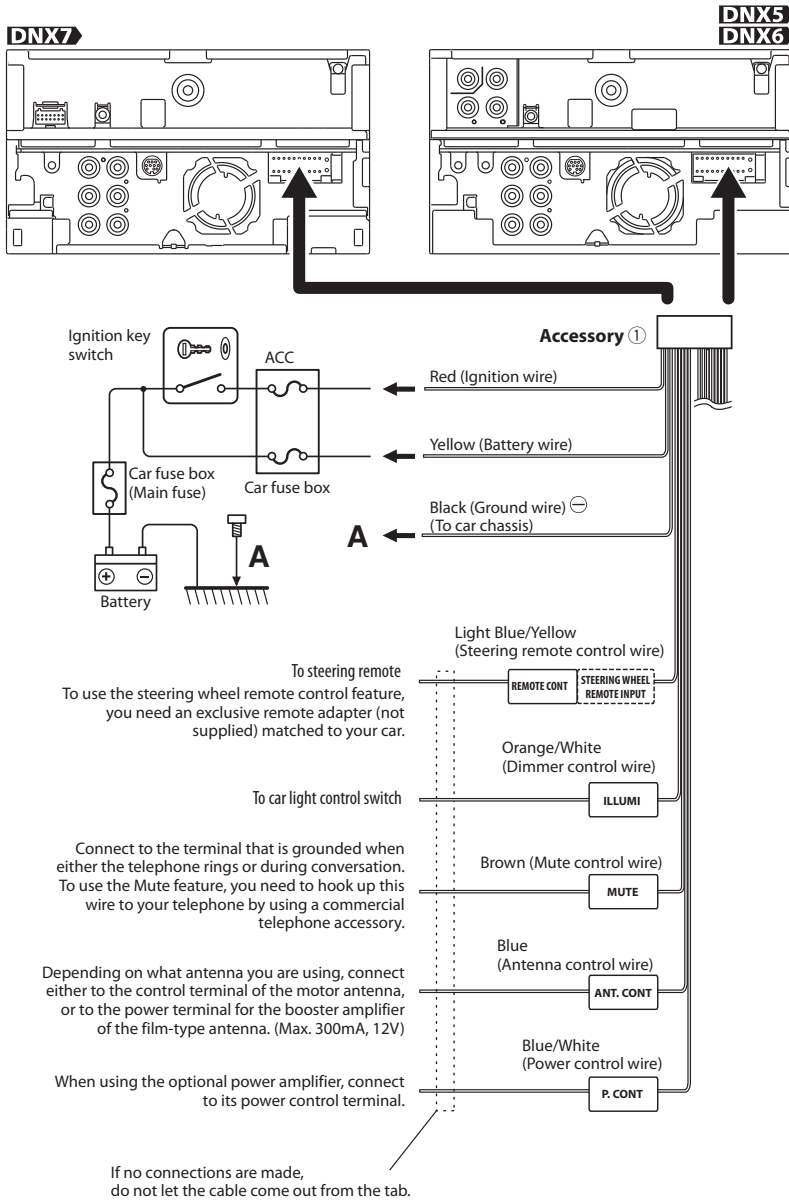
**Accessory ①①: Bluetooth Microphone**



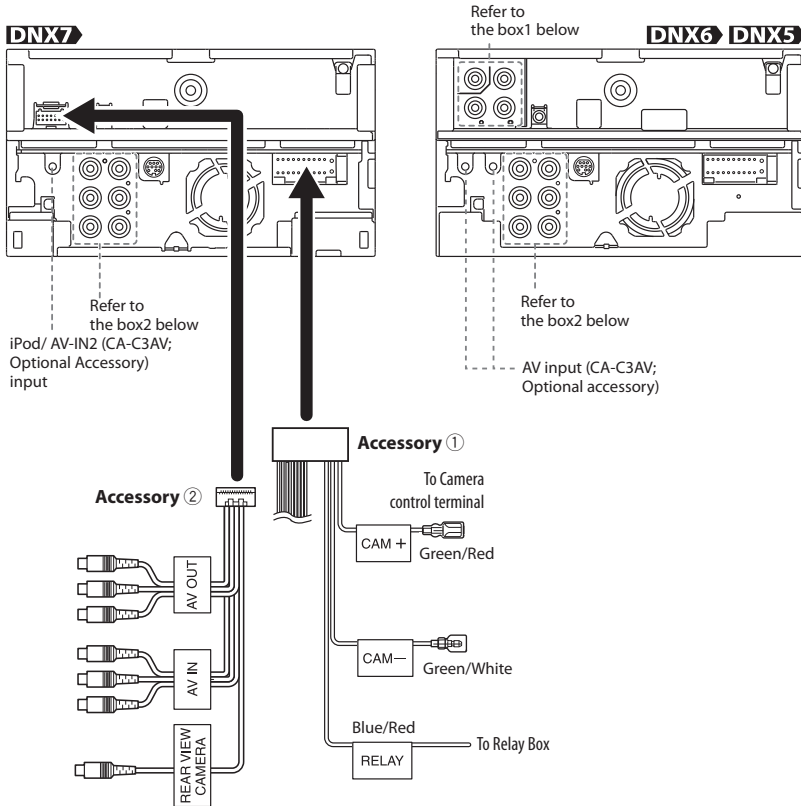
**Accessory ⑨: GPS Antenna**



## Connecting wires to terminals (2)



## System connection



**1**

### Rear View Camera Input

- Yellow (Visual Input)



### Audio/Visual Output

- Yellow (Visual Output)  
 - White (Audio Left Output)  
 - Red (Audio Right Output)

**2**

### Rear Preout

- Red (Audio Right Output)  
 - White (Audio Left Output)

### Front Preout

- Red (Audio Right Output)  
 - White (Audio Left Output)

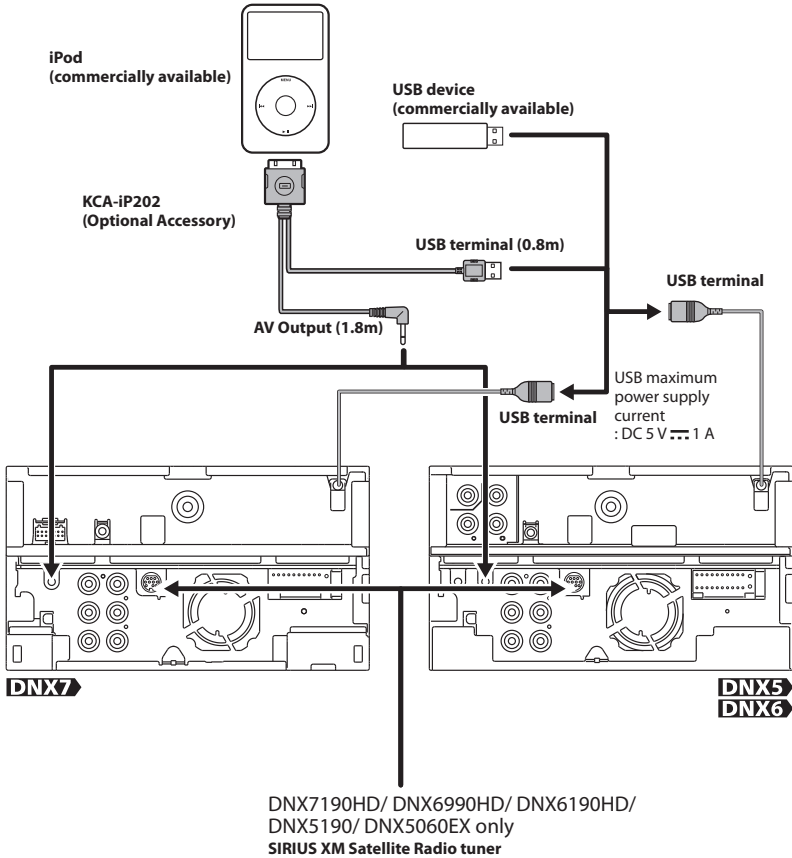
### Subwoofer Preout

- Red (Audio Right Output)  
 - White (Audio Left Output)



Use an RCA cable as shown in above diagram.

## Optional accessory connection



## About This Unit

### ■ Copyrights

- The Bluetooth word mark and logos are owned by the Bluetooth SIG, Inc. and any use of such marks by JVC KENWOOD Corporation is under license. Other trademarks and trade names are those of their respective owners.
- The "AAC" logo is a trademark of Dolby Laboratories.
- iTunes is a trademark of Apple Inc.
- "Made for iPod" and "Made for iPhone" mean that an electronic accessory has been designed to connect specifically to iPod or iPhone, respectively, and has been certified by the developer to meet Apple performance standards. Apple is not responsible for the operation of this device or its compliance with safety and regulatory standards. Please note that the use of this accessory with iPod or iPhone may affect wireless performance.
- iPhone, iPod, iPod classic, iPod nano, and iPod touch are trademarks of Apple Inc., registered in the U.S. and other countries.
- Sirius, XM and all related marks and logos are trademarks of Sirius XM Radio Inc. All rights reserved.
- HD Radio Technology manufactured under license from iBiquity Digital Corporation. U.S. and Foreign Patents. HD Radio™ and the HD, HD Radio, and "Arc" logos are proprietary trademarks of iBiquity Digital Corp.
-  is a trademark of DVD Format/Logo Licensing Corporation registered in the U.S., Japan and other countries.
- This item incorporates copy protection technology that is protected by U.S. patents and other intellectual property rights of Rovi Corporation. Reverse engineering and disassembly are prohibited.
- Manufactured under license from Dolby Laboratories. Dolby and the double-D symbol are trademarks of Dolby Laboratories.
- Manufactured under license under U.S. Patent Nos: 5,956,674; 5,974,380; 6,487,535 & other U.S. and worldwide patents issued & pending. DTS, the Symbol, & DTS and the Symbol together are registered trademarks & DTS 2.0 Channel is a trademark of DTS, Inc. Product includes software. © DTS, Inc. All Rights Reserved.
- Adobe, Acrobat and Reader are either registered trademarks or trademarks of Adobe Systems Incorporated in the United States and/or other countries.
- Android is a trademark of Google Inc.
- BlackBerry®, RIM®, Research In Motion® and related trademarks, names and logos are the property of Research In Motion Limited and are registered and/or used in the U.S. and countries around the world. Used under license from Research In Motion Limited.

- ABOUT DIVX VIDEO: DivX® is a digital video format created by DivX, LLC, a subsidiary of Rovi Corporation. This is an official DivX Certified® device that plays DivX video. Visit [divx.com](http://divx.com) for more information and software tools to convert your files into DivX videos.
- ABOUT DIVX VIDEO-ON-DEMAND: This DivX Certified® device must be registered in order to play purchased DivX Video-on-Demand (VOD) movies. To obtain your registration code, locate the DivX VOD section in your device setup menu. Go to [vod.divx.com](http://vod.divx.com) for more information on how to complete your registration.
- DivX®, DivX Certified® and associated logos are trademarks of Rovi Corporation or its subsidiaries and are used under license.

### • Requirements Pandora® internet radio:

Requirements for listening to the Pandora® internet radio are as follows:

#### iPhone or iPod touch

- Use an Apple iPhone or iPod touch running under iOS3 or later.
- Search for "Pandora" in the Apple iTunes App Store to find and install the most current version of the Pandora® application on your device.
- iPhone/iPod touch connected to this unit with a KCA-iP202.

#### Android™

- Visit the Android marketplace and search for Pandora to install.
- Bluetooth must be built in and the following profiles must be supported.
  - SPP (Serial Port Profile)
  - A2DP (Advanced Audio Distribution Profile)

#### BlackBerry®

- Visit [www.pandora.com](http://www.pandora.com) from the built in browser to download the Pandora application.
- Bluetooth must be built in and the following profiles must be supported.
  - SPP (Serial Port Profile)
  - A2DP (Advanced Audio Distribution Profile)

#### NOTE

- The Pandora service is available only in the U.S.
- Because Pandora® internet radio is a third-party service, the specifications are subject to change without prior notice. Accordingly, compatibility may be impaired or some or all of the services may become unavailable.
- Some Pandora® functionality cannot be operated from this unit.
- For issues using the Pandora® application, please contact Pandora at [pandora-support@pandora.com](mailto:pandora-support@pandora.com)
- PANDORA, the PANDORA logo, and the Pandora trade dress are trademarks or registered trademarks of Pandora Media, Inc., used with permission.

**■ FCC WARNING**

This equipment may generate or use radio frequency energy. Changes or modifications to this equipment may cause harmful interference unless the modifications are expressly approved in the instruction manual. The user could lose the authority to operate this equipment if an unauthorized change or modification is made.

**NOTE**

This equipment has been tested and found to comply with the limits for a Class B digital device, pursuant to Part 15 of the FCC Rules. These limits are designed to provide reasonable protection against harmful interference in a residential installation. This equipment may cause harmful interference to radio communications, if it is not installed and used in accordance with the instructions. However, there is no guarantee that interference will not occur in a particular installation. If this equipment does cause harmful interference to radio or television reception, which can be determined by turning the equipment off and on, the user is encouraged to try to correct the interference by one or more of the following measures:

- Reorient or relocate the receiving antenna.
- Increase the separation between the equipment and receiver.
- Connect the equipment into an outlet on a circuit different from that to which the receiver is connected.
- Consult the dealer or an experienced radio/TV technician for help.

**DNX7190HD/ DNX6990HD/ DNX6190HD/ DNX5190/ DNX5060EX:**

**▲ CAUTION**

Use of controls or adjustments or performance of procedures other than those specified herein may result in hazardous radiation exposure. In compliance with Federal Regulations, following are reproductions of labels on, or inside the product relating to laser product safety.

<p>JVC KENWOOD Corporation 2967-3, ISHIKAWA-MACHI, HACHIOJI-SHI, TOKYO, JAPAN</p>
<p>THIS PRODUCT COMPLIES WITH DHHS RULES 21 CFR SUBCHAPTER J IN EFFECT AT DATE OF MANUFACTURE.</p>

Location: Top plate

**DNX7190HD/ DNX6990HD/ DNX6190HD/ DNX5190/ DNX5060EX:**

**■ IC (Industry Canada) Notice**

Operation is subject to the following two conditions:

- (1) This device may not cause interference, and
- (2) this device must accept any interference, including interference that may cause undesired operation of the device.

The term "IC:" before the certification/ registration number only signifies that the Industry Canada technical specification were met.

**▲ CAUTION**

This equipment complies with FCC/IC radiation exposure limits set forth for an uncontrolled environment and meets the FCC radio frequency (RF) Exposure Guidelines in Supplement C to OET65 and RSS-102 of the IC radio frequency (RF) Exposure rules. This equipment has very low levels of RF energy that it deemed to comply without maximum permissive exposure evaluation (MPE). But it is desirable that it should be installed and operated keeping the radiator at least 20cm or more away from person's body (excluding extremities: hands, wrists, feet and ankles).

Under Industry Canada regulations, this radio transmitter may only operate using an antenna of a type and maximum (or lesser) gain approved for the transmitter by Industry Canada. To reduce potential radio interference to other users, the antenna type and its gain should be so chosen that the equivalent isotropically radiated power (e.i.r.p.) is not more than that necessary for successful communication.

This device complies with RSS-310 of Industry Canada. Operation is subject to the condition that this device does not Cause harmful interference.

**DNX7190HD/ DNX6990HD/ DNX6190HD/ :**

- Contains Transmitter Module  
FCC ID : RKXFC6000S
- Contains Transmitter Module  
IC: 51 19A-FC6000S

**DNX5190/ DNX5060EX:**

- Contains Transmitter Module  
FCC ID : XQN-BTR60X
- Contains Transmitter Module  
IC: 9688A-BTR601



**DNX7490BT/ DNX6490BT:**

■ The marking of products using lasers

**CLASS 1  
LASER PRODUCT**

The label is attached to the chassis/case and says that the component uses laser beams that have been classified as Class 1. It means that the unit is utilizing laser beams that are of a weaker class. There is no danger of hazardous radiation outside the unit.

■ CALIFORNIA, USA

This product contains a CR Coin Cell Lithium Battery which contains Perchlorate Material – special handling may apply.

See [www.dtsc.ca.gov/hazardouswaste/perchlorate](http://www.dtsc.ca.gov/hazardouswaste/perchlorate).

**HD Radio®**

This HD Radio receiver enables:

PSD

HD2/HD3

Digital Sound

iTunes® Tagging

Artist Experience

